

Short Description



- Aluminium bending miniature sensor
- High accuracy
- Suitable for kitchen scales

Available Models

Capacity	Accuracy	Full Article Description
2kg	0.05%	1F6-S-75*12.7*12.7-2kg
3kg	0.05%	1F6-S-75*12.7*12.7-3kg
5kg	0.05%	1F6-S-75*12.7*12.7-5kg
6kg	0.05%	1F6-S-75*12.7*12.7-6kg

Technical Specifications 1F6-S

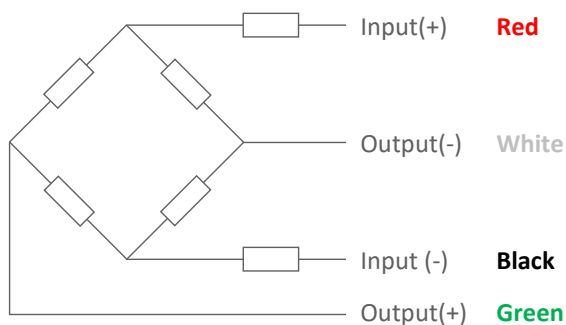
Accuracy Class		0.05%
Output Sensitivity (= FS)	mV/V	1.0 ± 0.1
Maximum Capacity (E _{max})	kg	2, 3, 5, 6
Combined Error	%FS	≤± 0.05
Creep Error (5 minutes)	%FS	≤± 0.05
Non-Linearity	%FS	±0.05
Repeatability	%FS	±0.05
Hysteresis	%FS	±0.05
Temperature Effect on Zero (ZTC)	%FS/10°C	≤± 0.3
Temperature Effect on Sensitivity (STC)	%FS/10°C	≤± 0.1
Zero Balance	mV/V	≤± 0.2
Safe Overload	%FS	150
Ultimate Overload	%FS	300
Maximum Deflection	mm	~0.18-0.36
Eccentric Loading Error	%Ld/cm	± 0.01
Excitation, Recommended Voltage	V	5 ~ 9
Excitation, Maximum Voltage	V	10
Input Resistance	Ω	1050 ± 10
Output Resistance	Ω	1000 ± 10
Insulation Resistance (50V)	MΩ	≥2000
Compensated Temperature	°C	-10 ~ + 40
Operating Temperature	°C	-10 ~ + 40
Storage Temperature	°C	-20 ~ + 65
Element Material		Aluminium
Ingress Protection (acc. to EN 60529)		IP65
Recommended Torque on Fixation Bolts	Nm	M4: 3

Wiring

Features:

Cable type: 4 separate conductor cable , conductor AWG 30
 Cable diameter: Ø 0.9mm
 Cable length: 0.14m ± 0.01m
 Cable jacket: PVC

4-Wire Connection Diagram

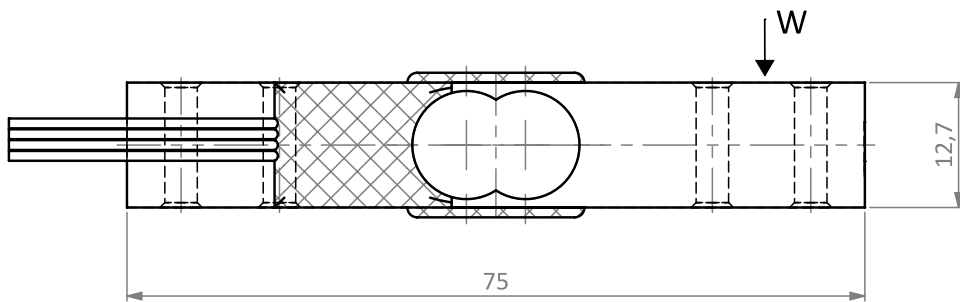


Specifications and dimensions are subject to change without notice and do not constitute any liability whatsoever.

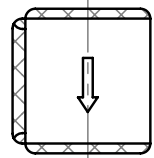
Type 1F6-S Miniature Sensor

Dimensions in mm

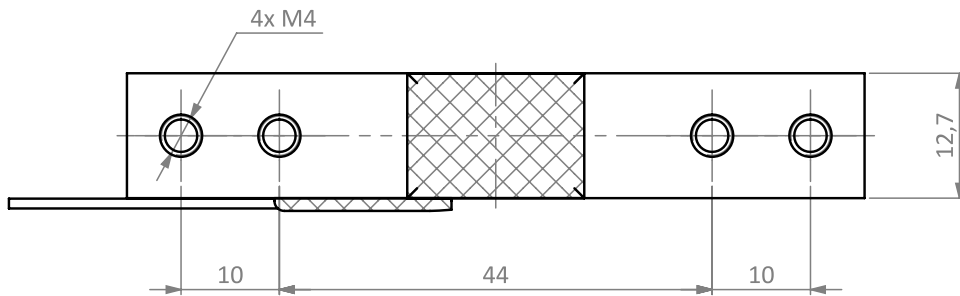
Front View



Side View



Top View



Isometric View

